

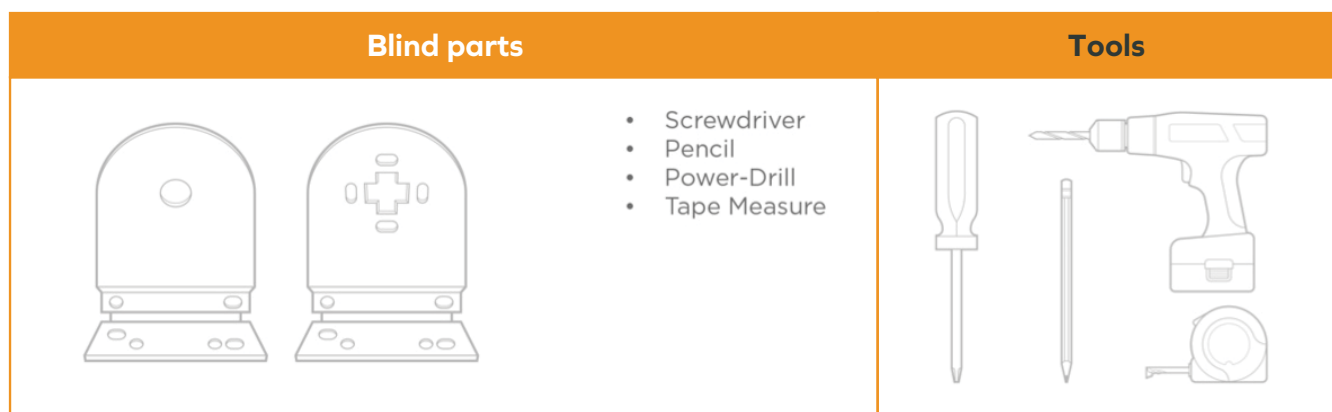
MotorisedBlinds

The smart choice

Somfy Motorised Blinds Installation & Operation Instructions

FITTING INSTRUCTIONS (1/2)

You should have:



STEP 1 - RECESS

Note: In order to protect your blind during transit, the motor will be placed in sleep mode, prior to installation you will need to wake the motor up. Refer to operating instructions on waking the motor up.

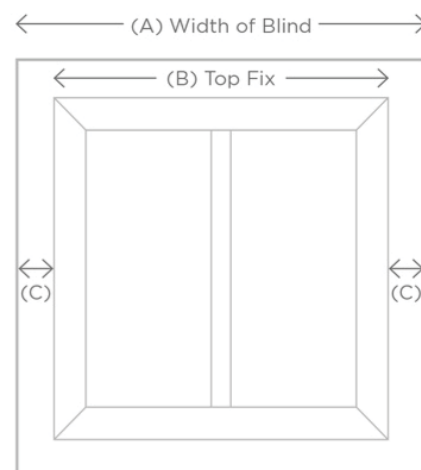
Note: The installation of this product should be conducted by someone competent in DIY.

Outside Recess

If the blind is to be fitted outside the window ensure that measurement C is the same. Follow instructions for FACE FIXING. To calculate C $(A-B)/2$.

Inside Recess

TOP FIX to the lintel. FACE FIX bracket to the window frame.

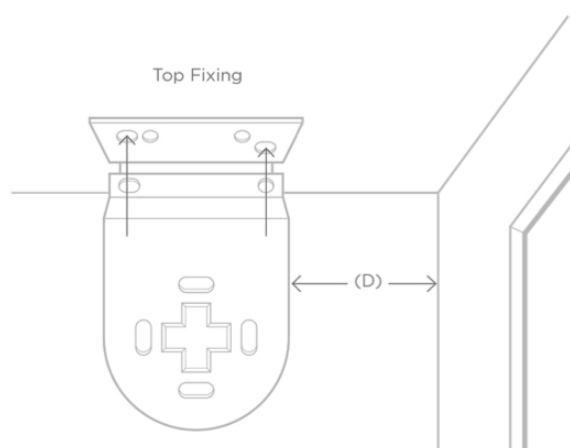


STEP 2 - FIXING POSITION

Top Fixing

1. Measure and mark the distance (D), allowing for obstructions like handles that protrude into the recess area.
2. Hold each bracket into place and mark the hole positions.
3. Fit each bracket using suitable screws.

Note: Please ensure fixings are suitable for the wall/surface to which you are mounting the brackets.

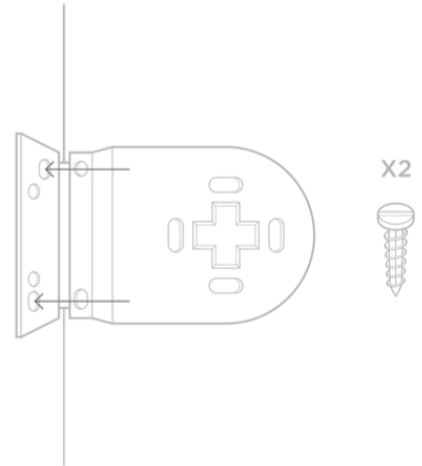


FITTING INSTRUCTIONS 2/2

Face Fixing

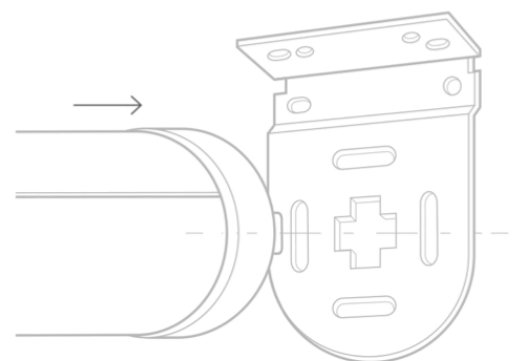
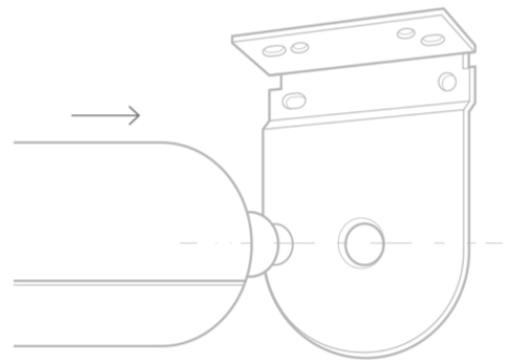
1. Hold each bracket into place and mark the hole positions.
2. Fit each bracket using suitable screws.

Note: Please ensure fixings are suitable for the wall/surface to which you are mounting the brackets.

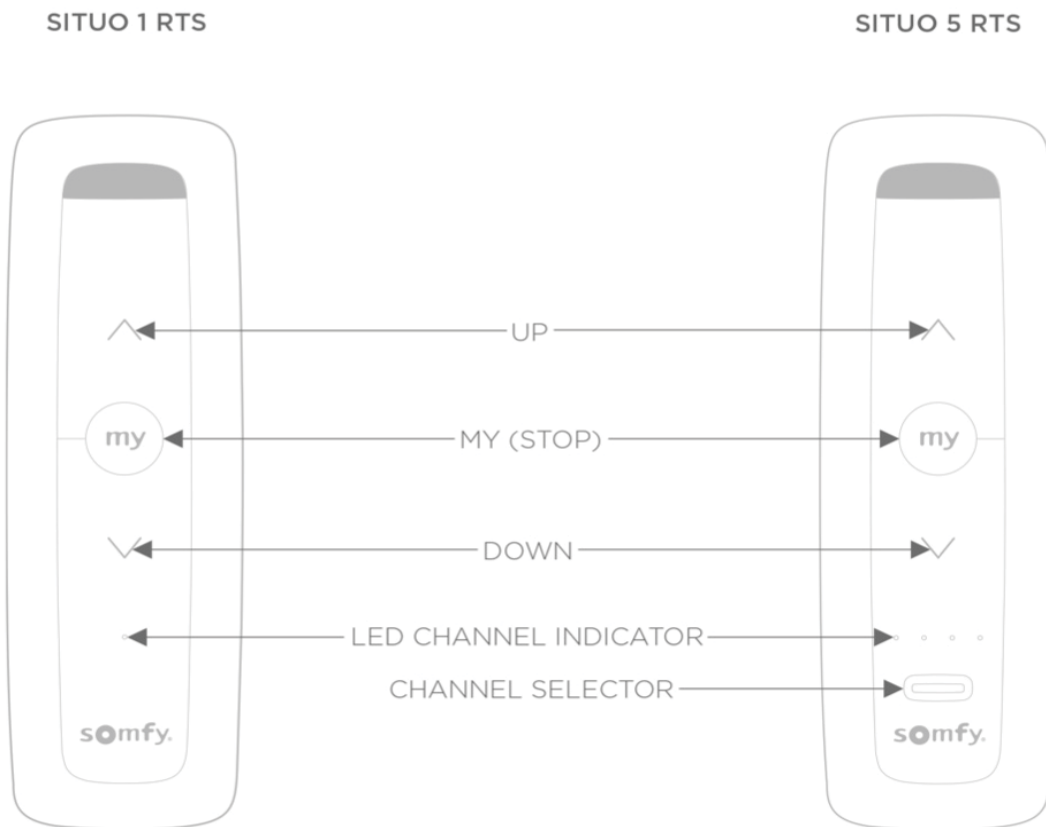


STEP 3 - MOUNTING BLIND ON TO BRACKETS

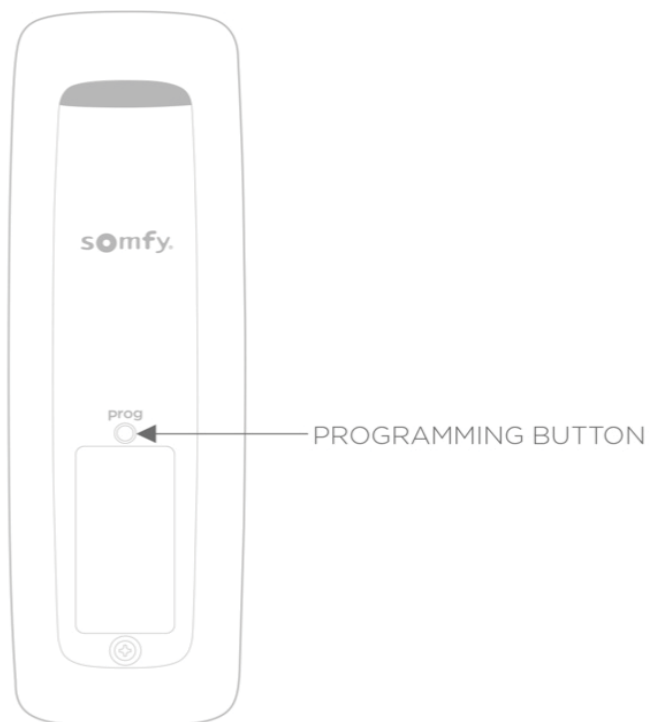
1. Holding the fully-wound blind, insert the idle pin end into the bracket as shown.
2. With the Idle pin end in place. Insert the control end into the opposite bracket by depressing the pin end then pull down vertically until the control end clicks into position.



OPERATING YOUR SOMFY REMOTE (1/2)



BACK OF REMOTE

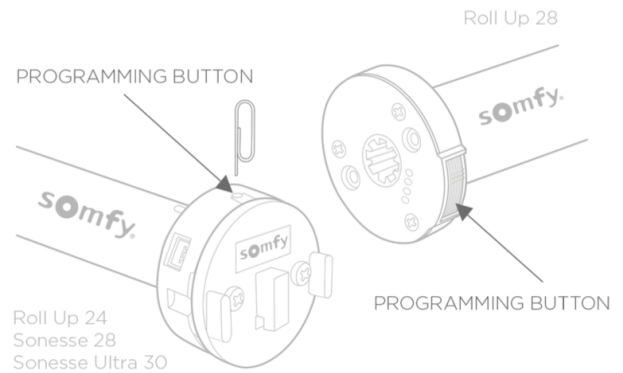


OPERATING YOUR SOMFY REMOTE (2/2)

WAKING THE MOTOR UP

Press and hold the programming button on the motor head for 1 second, the blind will jog once.

Note: The motor programming button will look different depending on the model you have opted for.



OPERATING THE BLIND

Note: The remote and blind should arrive paired and the lower and upper limits on the blind will be pre-set. You can operate the blind immediately, or if you wish to adjust the limits please follow the adjusting limits instructions in the programming section.

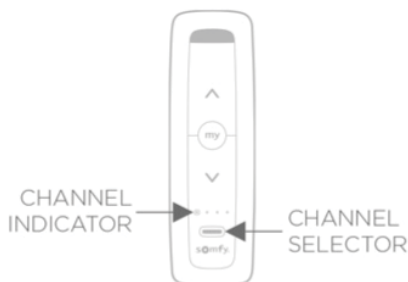
Single Channel Remote

1. Briefly press the **UP** button to move to the upper limit.
2. Briefly press the **DOWN** button to move to the lower limit.



Multi-Channel Remote

1. Using the **CHANNEL SELECTOR**, select the desired channel. (Channel indicator will briefly be lit).
2. Briefly press the **UP** button to move to the upper limit.
3. Briefly press the **DOWN** button to move to the lower limit.



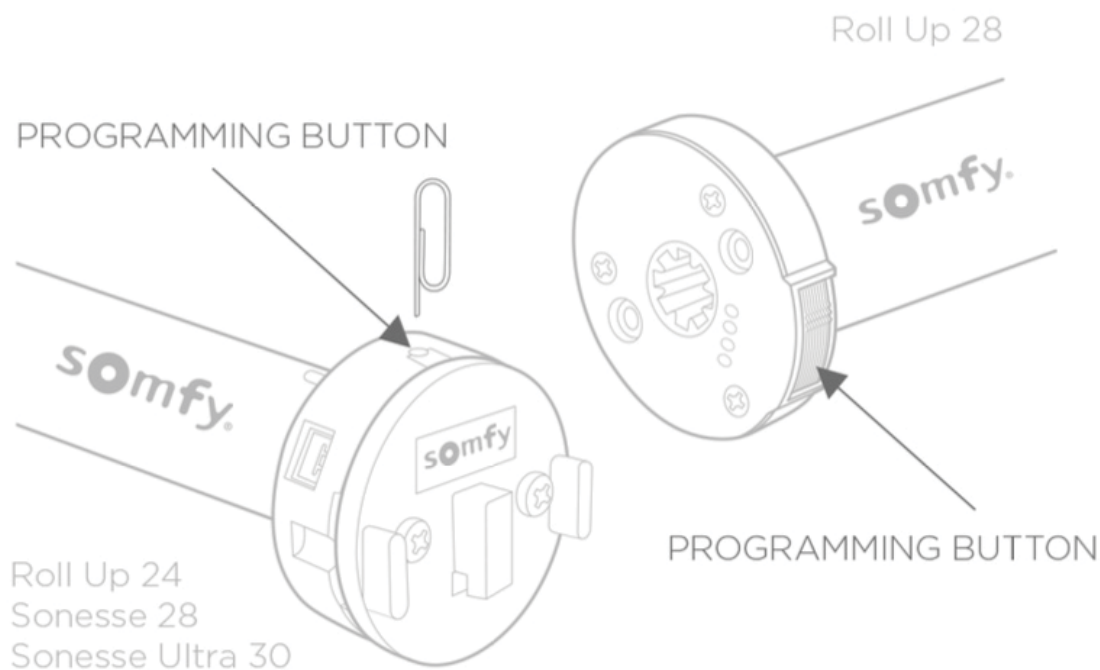
PROGRAMMING INSTRUCTIONS (1/6)

Note: To programme blinds individually, wake the individual motor up and programme one motor at a time.

ACTIVATING TEMPORARY SLEEP MODE

1. Press and hold the programming button on the motor head and the blind will jog once. Briefly press the programming button and the motor will jog twice. The LED will flash orange while the motor is in temporary sleep mode.

Note: Temporary sleep mode lasts 15 minutes.



DEACTIVATING SLEEP MODE

1. Press and hold the programming button on the motor head for 1 second, the blind will jog once.

CHECKING THE REMOTE IS PAIRED WITH THE MOTOR

1. Press the **UP** or **DOWN** button on the remote. If the blind moves the remote is paired, if the blind does not move, follow "pairing a remote" instruction.



PROGRAMMING INSTRUCTIONS (2/6)

PAIRING A REMOTE

Single Channel Remote

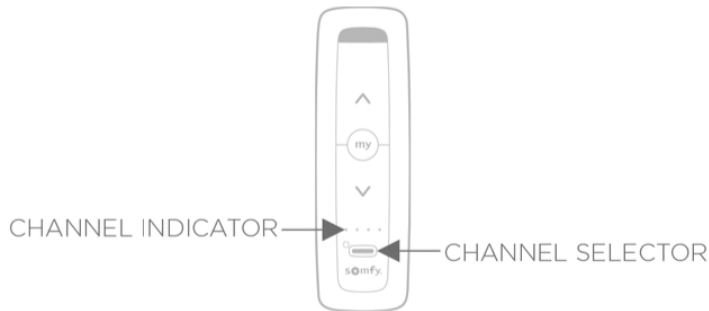
1. Once the motor has been woke, on the remote press and hold the **UP** and **DOWN** buttons simultaneously until the blind jogs.



Multi-Channel Remote

Note: When pairing a Multi-Channel remote, ensure you have selected the correct channel in which you wish to operate the blind on.

1. Using the **CHANNEL SELECTOR**, select the desired channel (channel indicator will briefly be lit).
2. Press and hold the **UP** and **DOWN** buttons on the remote simultaneously until the blind jogs.



PAIRING A SECOND REMOTE

Single & Multi-Channel Remote

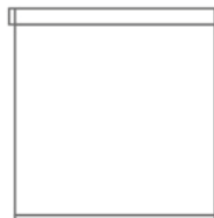
1. Using a paperclip or pen, press and hold the **PROGRAM** button on the original remote until the blind jogs once.
2. Using a paperclip or pen, press the **PROGRAM** button on the new remote until the blind jogs once. The new remote is now added to the memory and can be used to operate the blind.

ORIGINAL REMOTE



Press for 1 sec

ORIGINAL REMOTE



NEW REMOTE



NEW REMOTE



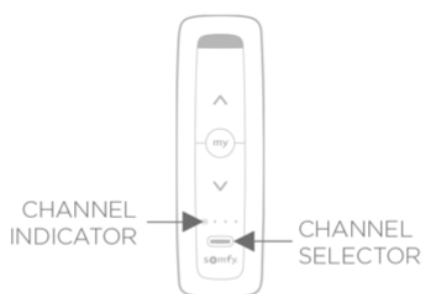
Press for 3 secs

PROGRAMMING INSTRUCTIONS (3/6)

ADDING A CHANNEL

Multi-Channel Remote

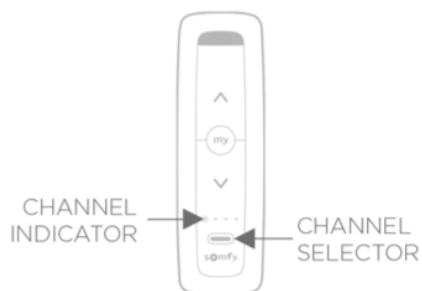
1. Select the desired channel you wish to duplicate by momentarily pressing the **CHANNEL SELECTOR** button on the multichannel remote.
2. Using a paperclip or pen, press and hold the **PROGRAM** button on the remote until the blind jogs once.
3. Ensuring you are on the new channel press the **PROGRAM** button on the remote until the blind jogs once. The additional (new) channel is now added to the motor memory and can be used to operate the blind.



DELETING A CHANNEL

Multi-Channel Remote

1. Using a paperclip or pen, press and hold the **PROGRAM** button on the remote until the blind jogs once.
2. On the remote select the desired channel to be deleted.
3. Press the **PROGRAM** button on the remote until the blind jogs once. The channel is now deleted from the motor memory and will not operate



PROGRAMMING INSTRUCTIONS (4/6)

Note: Should your blind run in the opposite direction to the remote instruction follow the below steps to correct.

ADJUSTING THE MOTOR ROTATION DIRECTION

1. Press the **UP** or **DOWN** button on the remote to move the blind away from the end limits
2. Press and hold the **UP** and **DOWN** buttons simultaneously until the blind jogs.
3. Press and hold the **MY** (Stop) button until the blind jogs, the rotation direction is now reversed.
4. Press the **UP** button to check the new rotation direction.



ADJUSTING UPPER LIMIT

Note: Blind limits will be pre-set on arrival.

1. Briefly press the **UP** button. The blind will move to pre-set upper limit.
2. Press and hold the **UP** and **DOWN** button until the blind jogs.
3. Press and hold the **UP** or **DOWN** button to move the blind to the desired upper position.
4. To confirm the new position press and hold the **MY**(Stop) button until the blind jogs. The new upper limit is now added to the memory.



PROGRAMMING INSTRUCTIONS (5/6)

ADJUSTING LOWER LIMIT

1. Briefly press the **DOWN** button. Blind will move to pre-set lower limit.
2. Press and hold the **UP** and **DOWN** button until the blind jogs.
3. Press and hold the **UP** or **DOWN** button to move the blind to the desired lower position.
4. To confirm the new position press and hold the **MY** (Stop) button until the blind jogs. The new lower limit is now added to the memory.



SETTING INTERMEDIATE LIMIT (FAVOURITE POSITION)

Note: The intermediate limit is optional and has not been pre-set.

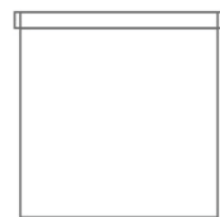
1. Move the blind to the desired intermediate limit using the **UP** or **DOWN** buttons.
2. Briefly press the **MY** (Stop) button to stop at the desired intermediate limit.
3. Press and hold the **MY** (Stop) button until the blind jogs, the intermediate limit is now memorised.



SPEED ADJUSTMENT MODE

Note: To increase or decrease the motor speed, you must first enter speed adjustment mode.

1. Press the **UP** or **DOWN** button on the remote to move the blind away from the end limits.
2. Press and hold the **UP**, **MY** and **DOWN** buttons simultaneously until the blind jogs once.
3. The blind will jog in 10 second cycles until it enters into speed adjustment mode.



PROGRAMMING INSTRUCTIONS (6/6)

INCREASING THE MOTOR SPEED

1. Press and hold the **UP** button until the blind jogs, repeat as needed. The maximum setting has been reached when the blind briefly moves 3 times in one direction and three times in the opposite direction.



DECREASING THE MOTOR SPEED

1. Press and hold the **DOWN** button until the blind jogs, repeat as needed. The minimum setting has been reached when the blind briefly moves 3 times in one direction and three times in the opposite direction.



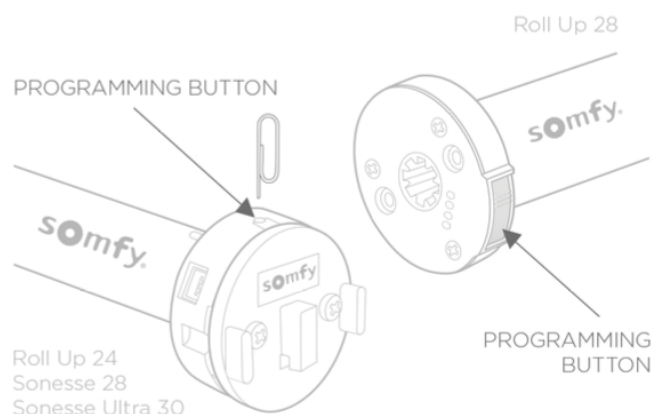
CONFIRMING NEW SPEED SETTINGS

1. Press and hold the **MY** button until the blind briefly jogs.



RESTORE TO FACTORY SETTINGS

1. To delete all previous settings: Using a paperclip or pen, press and hold the **PROGRAM** button on the motor head until the blind jogs 3 times. All remotes and limits will be erased from the motor memory. Motor is now reset to factory mode.



CORRECTING FABRIC RUN-OFF

1. Diagram 1 shows the fabric running off from the right-hand side of the blind. To correct the run-off, move the blind to the furthest lower position, place a 25mm piece of sticky tape onto the tube (Diagram 2) at the opposite end of the blind to the run-off. Move the blind to the furthest upper position. Repeat until the fabric is no longer running-off.

DIAGRAM 1

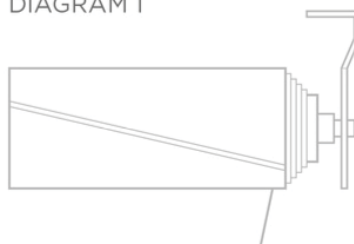
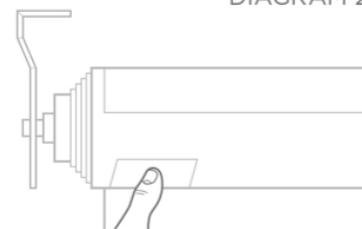


DIAGRAM 2



As the manufacturer, Somfy ACTIVITES SA, F-74300 CLUSES hereby declares that the drive covered by these instructions, when used as intended according to these instructions, is in compliance with the essential requirements of the applicable European directives, in particular the Machinery Directive 2006/42/EC and EMC Directive 2014/30/EU.

The full text of the EU declaration of conformity is available at www.somfy.com/ce. Antoine Crézé, Approval manager, acting on behalf of Activity director, Cluses, 02/2019.

Please separate storage cells and batteries from other types of waste and recycle them via your local collection facility

We care about our environment. Do not dispose of the appliance with usual household waste. Give it to an approved collection point for recycling.